

Surge Protective Device

Technical Documentation



The **ASCO Model 256** is a FingerSafe 120VAC single-phase 2W+G, 30A surge suppressor/filter designed to shunt electrical type transients affecting the electrical distribution inside a traffic cabinet.

Model 256 offers 50kA per Mode and 100kA per phase of surge current protection.

Model 256 utilizes Thermally-protected Metal Oxide Varistors (TMOVs) with an integrated thermally activated element designed to open in the event of overheating due to the abnormal over-voltage, limited current conditions.

Key Specs

- **Voltage:** 120 VAC
- **Current:** 30A
- **Connection:** Recessed Terminal Screws
- **Mounting:** Flange

*See Ordering Information for model number selection

General Technical Specifications

Operating Voltage	120 VAC
Maximum Operating Current	30 A
UL-1449-4 tested Maximum Continuous Operating Voltage (MCOV)	150 V
UL 1449-4 tested Voltage Protection Rating (VPR)	500 V (L-N, L-G, N-G)
UL 1449-4 tested Nominal Discharge Current (I_n)	20 kA
UL 1449-4 tested Short Circuit Current Rating (SCCR)	65 kA
Peak Surge Current Rating	50 kA/Mode, 100 kA/Phase
Operating Frequency	47 - 63Hz
EMI Attenuation	40 dB typ
SPD Technology	Thermally-protected Metal Oxide Varistors (PTMOV) w/ L-C Filter
Input/Output Terminal	Recessed Terminal Screws Finger Safe (20-6AWG)
Fuse/Breaker	30A (Max.)
Relay Contact	Form C Dry Contact (250V, 1A Max.)
Relay Terminal	3 Position (22-16 AWG)
Modes of Protection	L-N, L-G, N-G
Operating Temperature	-40 C to +85 C
Dimensions (in/mm)	1.875" H x 3.25" W x 5.75" L [47.6 x 82.6 x 146.1 mm]
Weight (lb/kg)	12 oz [0.34 kg]
Certifications	UL 1449 4 th Edition Recognized SPD, Type 2 Component Assembly, CSA 22.2, No. 269.4-2, UL1283 Recognized Filter
Warranty	5 years

Features

- 120 VAC, 30A service
- Multi-stage hybrid design
- FingerSafe connection
- Green LED diagnostic indicator (All MOVs monitored incl. N-G)
- Thermally-protected metal oxide varistors (PTMOVs)
- 50kA Per Mode and 100kA Per Phase surge current protection
- Form C Dry Contacts

Certifications

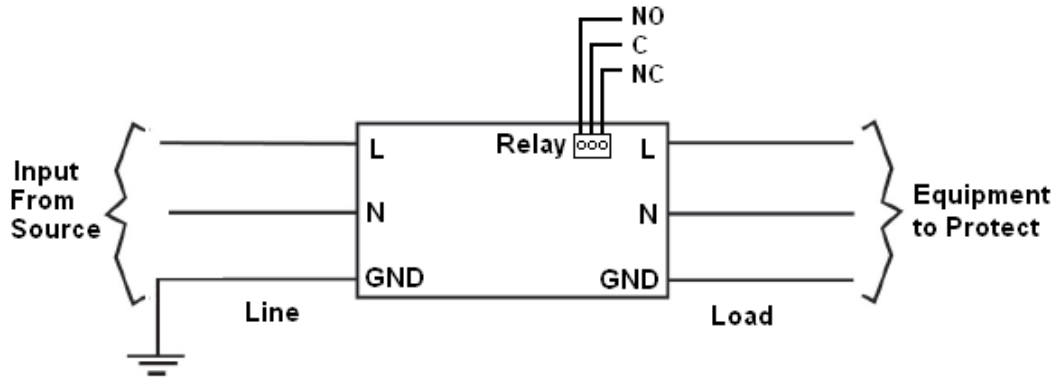
- UL 1449 4th Edition Recognized
- Type 2 Component Assembly
- CSA 22.2, No. 269.4-2
- UL1283 Recognized Filter

DANGER!

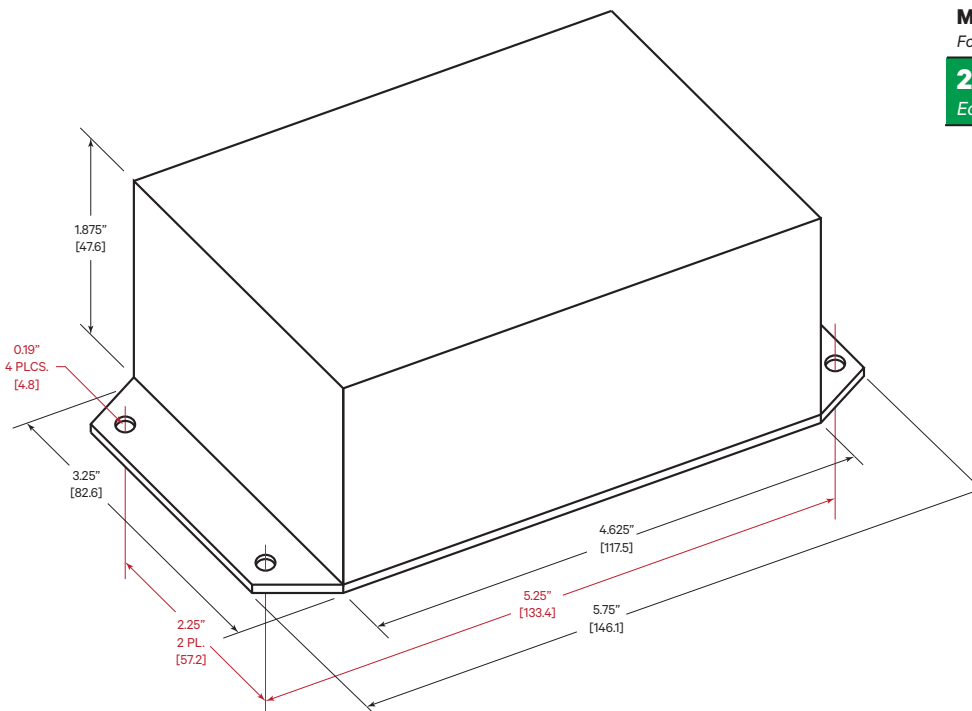
Only qualified personnel should install or service this system. Electrical safety pre-cautions must be followed when installing or servicing this equipment. To prevent risk of electrical shock, turn off and lock out all power sources to the unit before making electrical connections or servicing.

Seulement le personnel qualifié doit installer ou maintenir ce système. Des précautions de sécurité en électricité doivent être suivies lors de l'installation ou de la maintenance de cet équipement. Pour éviter tout risque de choc électrique, débranchez et verrouillez toutes les sources d'alimentation de cet équipement avant de.

Wiring Connections



Mounting Diagram



Ordering Information

MODEL	APPLICATION
Former Model Name	
256120NF030AN6NO	120VAC, 30A
Edco SHA1235FS	