

Edco SLCP Series

Two Pair SLC Loop Protector (Modular)

■ Surge Protection
For *Business-Critical Continuity™*

The Edco SLCP Series are four-wire modules designed to protect signaling line circuits (SLC). The device has 0 ohms of resistance and offers line to ground protection.

General Technical Specifications

Operating Voltage	5, 12, 18, 24, 32, 36, 48, 52 VDC
Clamping Voltage	8, 15, 20, 30, 36, 43, 50, 60 VDC
Operating Current	1 A
Peak Surge Current	250 A (8 x 20 μs)
Frequency Range	0 to 20 MHz
Insertion Loss	< 0.1 dB at 20 MHz
SPD Technology	Silicon Avalanche Diode (SAD)
Connection Type	Terminal block w/compression lugs Terminals accept up to 10 AWG
Operating Temperature	-40°C to +85°C
Dimensions (Inches)	2H x 1W x 2.5L (SLCP + PCB1B-WKEY Base)
Weight	1 oz
Certifications	UL 497B
Warranty	5 years



EDCO PCB1B-WKEY BASE SOLD SEPARATELY

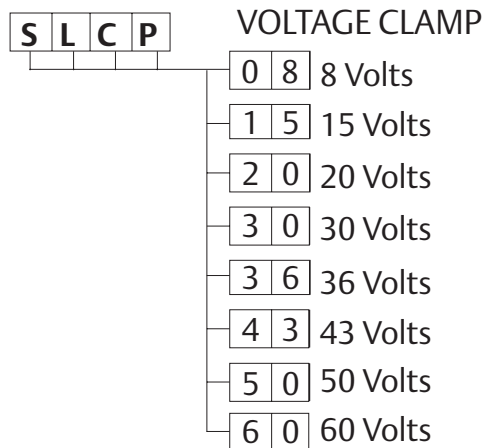


Features

- Compatible with SLC circuits
- Line-to-ground protection
- State-of-the-art silicon technology
- Over-current protection
- UL listed 497B
- Requires Edco PCB1B-WKEY base
- PC642PTU (Pass Thru Unit) available for troubleshooting
- 5 year warranty

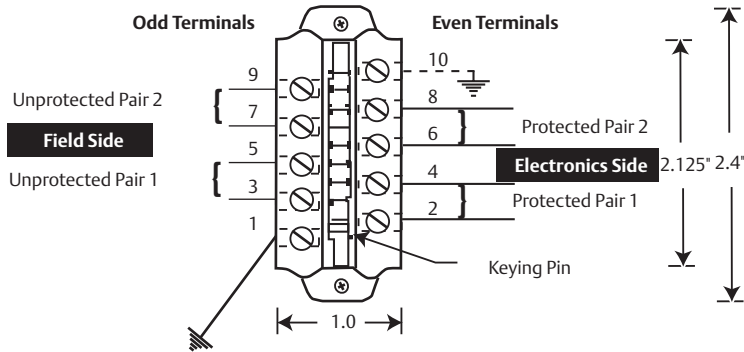
Ordering Information

How to Specify the Appropriate Model



Installation

Edco PCB1B-WKEY:



Ground Terminal 1 OR 10 (internally tied together) to Building Approved Ground.

DO NOT daisy chain grounds.

NOT intended for shield termination. Install ground in accordance with all applicable codes. PCB1B-WKEY accommodates 26 to 10 AWG wire.

Emerson Network Power.
The global leader in enabling
Business-Critical Continuity™.

- AC Power
- Connectivity
- DC Power

- Embedded Computing
- Embedded Power
- Monitoring

- Outside Plant
- Power Switching & Control
- Precision Cooling

- Racks and Integrated Cabinets
- Services
- Surge Protection

Emerson Network Power Contact information

Headquarters

Surge Protection
328 Water Street
Binghamton, NY 13901
T: (607) 721-8840
T: (800) 288-6169
F: (607) 722-8713
E: contactsurge@emerson.com

650 SW 27th Avenue
Ocala, FL 34471
T: (352) 732-3029
T: (800) 648-4076
F: (352) 867-1237

www.emersonnetworkpower.com

