

# EDCO EMC-240B

120/240VAC Surge Protection

The Edco EMC-240B surge suppressor is designed to protect AC distribution panel circuits or 120 V power supplies feeding sensitive electronic equipment. Electrically, the unit incorporates MOV fusing technology. The Edco EMC-240B is designed to be installed in parallel on standard split phase 120/240 VAC (3W+G) or single phase 120 VAC (2W+G) circuits.

## General Technical Specifications

Operating Voltage	120/240 VAC
Total Peak Surge Current	80 kA (8x20 $\mu$ s)
Short Circuit Current Rating	42 kAIC
UL1449 Location Type	Type 2
UL1449 Nominal Discharge Current ( $I_n$ )	3 kA
Operating Current	NA, Parallel Connection
Operating Frequency	47-63 Hz
EMI Attenuation (100 kHz to 100 MHz)	> 40 db
SPD Technology	Metal Oxide Varistors (MOVs)
Modes of Protection	Line-to-Line (L-L) Line-to-Neutral (L-N)
Status Indication	Power On & MOV's Functional
Connection Type	Wire Leads
Operating Temperature	-40°C to +85°C
Dimensions (in / mm)	4.6" H x 2.2" W x 2.8" L [116.84 x 55.88 x 71.12 mm]
Weight (oz / kg)	13.5 oz [0.38 kg]
Certifications	ANSI/UL1449 Third Edition

## Models

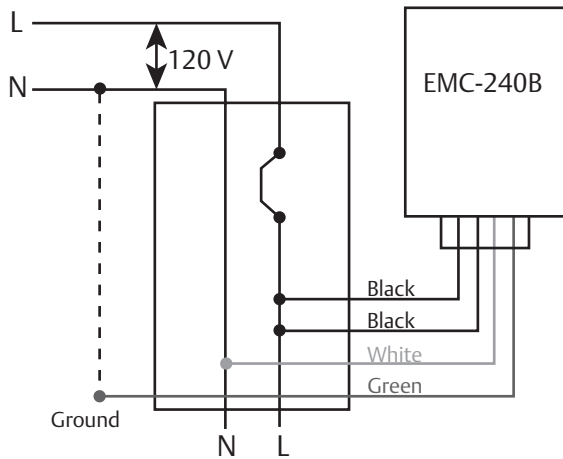
EMC-240B	with 1/2" [12.7 mm] Chase Nipple
EMC-240BK	with 1/2" [12.7 mm] Conduit Offset, 2.5" [63.5 mm] Long
EMC-240BK90	with 1/2" [12.7 mm] Conduit 90°, 3.25" [82.55 mm] Long



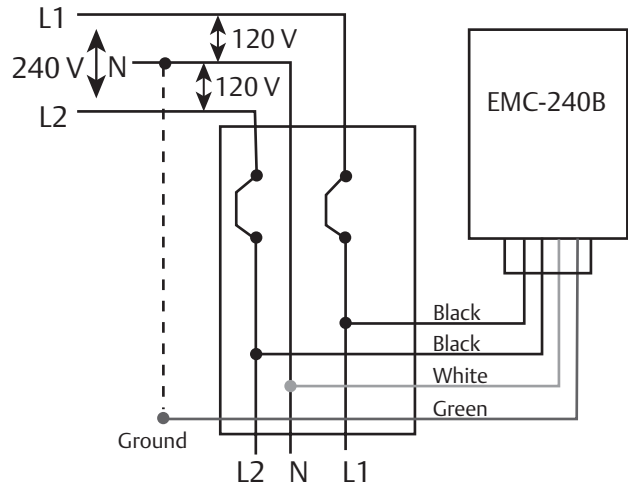
## Features

- Fast Response Time
- 40,000 Amps per phase capacity
- Failsafe and fused
- Operational Status Indicators
- ANSI/UL 1449 Third Edition
- 5 year warranty

## Installation Instructions

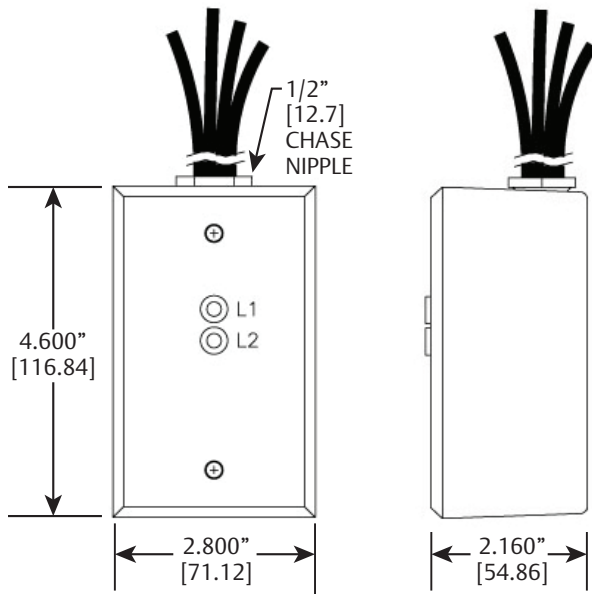


120 V applications use a single pole 30 Amp breaker



120/240 V applications use a 2 pole 30 Amp breaker

## Dimensions



### **⚠ DANGER!**

Only qualified personnel should install or service this system. Electrical safety precautions must be followed when installing or servicing this equipment. To prevent risk of electrical shock, turn off and lock out all power sources to the unit before making electrical connections or servicing.

Seulement le personnel qualifié doit installer ou maintenir ce système. Des précautions de sécurité en électricité doivent être suivies lors de l'installation ou de la maintenance de cet équipement. Pour éviter tout risque de choc électrique, débranchez et verrouillez toutes les sources d'alimentation de cet équipement avant de.

- Connect on load side of main breakers
- Keep wires short and straight as possible for best suppression performance.

### Emerson Network Power Contact information

Surge Protection  
100 Emerson Parkway  
Binghamton, NY 13905  
T: (607) 721-8840  
T: (800) 288-6169  
F: (607) 722-8713  
E: SurgeTech@Emerson.com

[www.EmersonNetworkPower.com/Surge](http://www.EmersonNetworkPower.com/Surge)

